



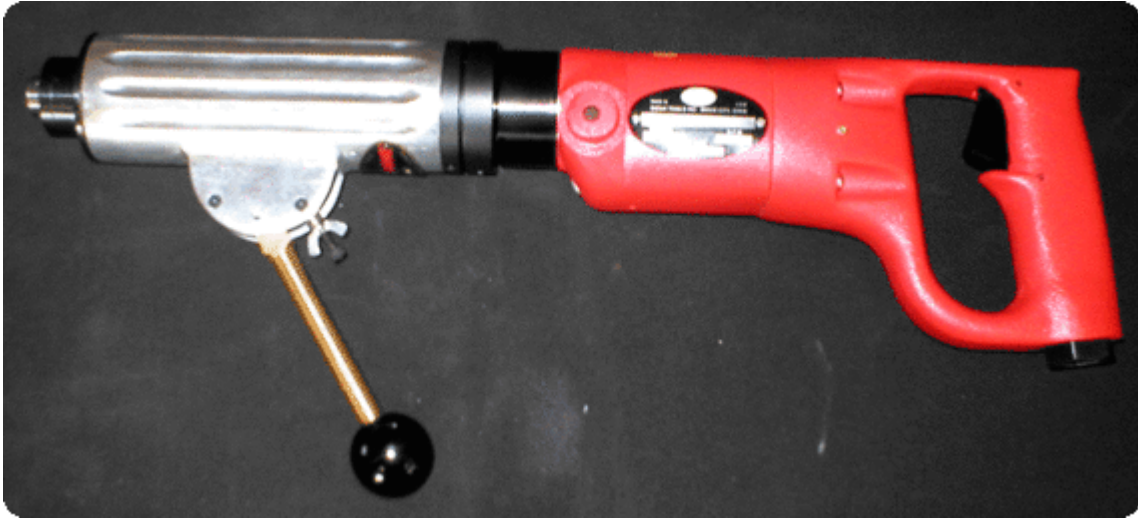
Volume 2
2

HIGH SPEED INTERNAL TUBE CUTTER

MODEL AA-1

HIGH SPEED INTERNAL TUBE CUTTER MODEL AA-1

HIGH SPEED INTERNAL TUBE CUTTER MODEL AA-1



FORWARD

Congratulations and Thank You for purchasing the finest internal tube cutter made today with patents starting from 1931.

The ease of use and rugged design will provide many years of dependable operation. The type AA cutter has many accessories available to meet your needs.

Sold in various Electric and Pneumatic models for cutting materials from admiralty brass to stainless steel and titanium.

The type AA cutter can also be used to serrate multi grooves in tube sheet holes using a serrating adapter. The serrating blades are manufactured to your specifications.

The type AA cutter can also be used to trim the tubes to a specified projection length from the tube sheet face by using the trim stop. This will produce a uniform tube length for later coating

HIGH SPEED INTERNAL TUBE CUTTER MODEL AA-1

HIGH SPEED INTERNAL TUBE CUTTER MODEL AA-1

Table of Contents

FORWORD	III
<hr/>	
CHAPTER 1	1
<hr/>	
INTERNAL TUBE CUTTER	1
AIR SOURCE REQUIREMENTS	1
ELECTRIC SOURCE REQUIREMENTS	1
LUBRICATION OF PNEUMATIC DRIVES	1
INCLUDED ITEMS	1
<hr/>	
CHAPTER 2	1
<hr/>	
PARTS LIST FOR THE AA INTERNAL TUBE CUTTER	1
<hr/>	
CHAPTER 3	2
<hr/>	
OPERATING AND MAINTENANCE INSTRUCTIONS FOR TUBE CUTTER TYPE AA	2
<hr/>	
CHAPTER 4	4
<hr/>	
PARTS LIST FOR AN INTERNAL TUBE CUTTER EXTENSION ADAPTOR	4
<hr/>	
CHAPTER 5	6
<hr/>	
PARTS LIST FOR 1465, 1466, 1467	6
DIAGRAM	7
FOSTER SV SERIES SAFETY VALVE COUPLERS	8
OPERATING AND MAINTENANCE INSTRUCTIONS	8
BENEFITS:	8
OPERATION:	8
MAINTENANCE:	8
SYMPTOMS OF WEAR:	8
<hr/>	
ASL	9
<hr/>	
SPECIFICATIONS -PRESSURE FEED	9
PRESSURE FEED -SERVICE KIT	9
<hr/>	
LIMITED PRODUCT WARRANTY	11

HIGH SPEED INTERNAL TUBE CUTTER MODEL AA-1

INTERNAL TUBE CUTTER

AIR SOURCE REQUIREMENTS

Recommended Air Pressure: 90 P.S.I. Minimum 125 P.S.I. Maximum with a 3/8 inlet.

The Cleco Drives (160 RPM) run on air pressure alone. Varying the pressure will vary RPMs

The Sioux Drives (1465 – 1000 RPM, 1466 – 550 RPM, and 1467 – 375 RPM) have a governor that maintains speed as long as the minimum air supply is supplied.

ELECTRIC SOURCE REQUIREMENTS

Milwaukee Drives (1000 or 500 RPM) Standard 110vac single phase grounded receptacle.

LUBRICATION OF PNEUMATIC DRIVES

It is recommended that the supplied whip hose with the ASL #5 Lubricator be used for best results. A good grade of S.A.E. #10 lubricating oil is recommended. Set lubricator to 5 to 10 drops of oil per minute.

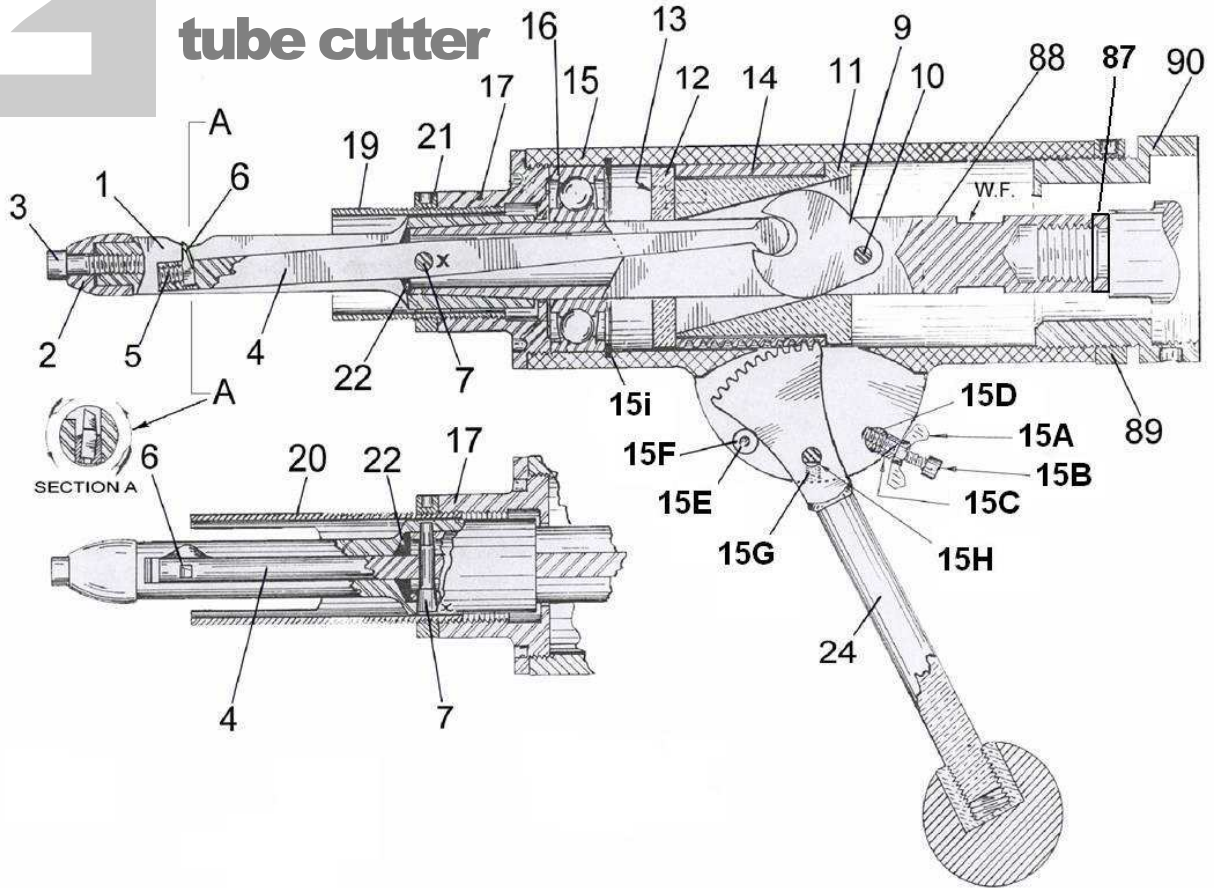
Plain bearing grease is use in:

1. the pockets of the feeder spool
2. Coat the front shield of bearing #16 to aid prevent contamination
3. Gear housing of the drives

INCLUDED ITEMS

1. AA Cutter Body
2. Drive
3. 1.5-3" Pin Spanner Wrench
4. A&S Pin Spanner Wrench
5. Whip Hose with ASL LUBRICATOR and Foster Safety Disconnect
6. A&S Knock adaptor off bar
7. 1/8" Pin Punch
8. Assorted Allen Wrenches
9. Trim & Depths Stop with Lock Ring

Parts List for the AA internal tube cutter



ITEM	PART NUMBER	PART NAME	REQ'D	ITEM	PART NUMBER	PART NAME	REQ'D	ITEM	PART NUMBER	PART NAME	REQ'D
1	1	Spindle	1	14	15	Jacket Assem.	1	27	20	Trim Stop	1
2	2	Pilot	1	15	15a	Wing Nut	1	28	21	Stop Lock Ring	1
3	3	Pilot Screw	1	16	15b	Cap Screw	2	29	22	Rubber Seal	1
4	4	Tool Holder Leg	1	17	15c	Spacer	1	30	24	Handle	1
5	5	Leg Screw	1	18	15d	Rear Stop	1	31	27	A&S Spanner Wrench	1
6	6	Tool Bit	1	19	15e	Handle Stop Set Screws	4	32	31	Spanner Wrench	1
7	7	Leg Pin	1	20	15F	Front Stop	1	33	87	Shaft Spacer	1
8	9	Cam	1	21	15G	Handle Pin Set Screws	4	34	88*	Shaft	1
9	10	Cam Pin	1	22	15H	Handle Pin	1	35	89	Jacket Lock Ring	1
10	11	Spool	1	23	15i	Bearing Retainer Ring	1	36	90*	Motor Adaptor	1
11	12	Spool Cap	1	24	16	Bearing	1				1
12	13	Cap Screw	2	25	17	Bracket	1				
13	14	Spool Feeder	1	26	19	Depth Stop					

* Specify Drive Type for P/N 88 or 90

OPERATING AND MAINTENANCE INSTRUCTIONS FOR TUBE CUTTER TYPE AA

PREPARING THE TUBE CUTTER FOR OPERATION

Before using the tube cutter, determine the thickness of the tube sheet, size and gauge of the tubes, and the amount to be cut off the tubes. The tube cutter when shipped from the manufacturer is set to the size and gauge ordered. The depth adjustment will vary with the requirements stated in the order of the machine. The placement of the cut in the tube can be varied by adjustment of the depth stop (#19) and the depth stop lock nut (#21).

OPERATION

To cut the tubes, start the air motor making sure it is on fully. Bring cutter handle to the rear position, which retracts tool bit. Insert spindle (#1) into tube until depth stop (#19) is firmly against tube sheet. Move cutter handle (#24) forward slowly until tube is cut through. (It will be up to the operator to get the feel of the cutting tool so he will know how fast to force the handle when cutting various gauge tubes.) Continuous running of the air motor will enable the operator to have better control and more rapid operation of the machine.

REPLACING THE TOOL BIT

When the tool bit (#6) loses its cutting edge it is replaced by loosening the tool holder leg screw (#5). This can be done by removing screw (#3) and putting long end of 3/32" Allen wrench provided, through front end of spindle. Remove the worn tool bit by tapping with pin from underside hole provided in tool holder leg. On standard machines there are two types of tool bits, namely right and left. These tools can be distinguished by holding the cutting edge toward the direction of rotation. The tool bit with the cutting point to the right is termed a right hand tool bit, and is used when the straight face is desired on the inner piece. The tool bit with the cutting point to the left side is termed a left hand tool bit and is used when it is desired that a straight face be left on the piece left in the sheet.

CHANGING ADAPTERS FOR VARIOUS SIZES

When other size tubes are to be cut, the ADAPTER consisting of the pilot, leg and spindle assembly (1-7, 22) can be removed as a unit. The proper size adapter can then be installed in its place.

To accomplish this, the stop lock nut (21) and depth stop (19) or trimming stop (20) should be removed first with the spanner wrench provided. This will expose the tool holder leg pin (7). This pin is a tapered fit and should be removed from the side of the spindle marked with an X by driving opposite side with a 1/8" pin punch provided. Once this pin has been removed, take the spindle knock off tool and drive the spindle off the shaft. This can be accomplished by first pushing the actuating handle (24) forward. This moves the tool holder leg to the side so that the end of the knock off tool can be fitted against the front end of the slot in the spindle. Tap lightly until spindle comes free. Tool holder leg (4) is removed by hand.

When this has been done the new adapter may be installed by taking the desired spindle size with pilot and screw (1, 2, 3) and placing tool holder leg with tool bit set screw and rubber seal (4, 5, 6, 22) through the large tapered end of spindle making sure that the X marked side of the leg faces the same side as the X

marked on the spindle (CAUTION: CARE SHOULD BE TAKEN THAT TAPERS ON SPINDLES AND SHAFT (1, 88) ARE CLEAN AND FREE FROM ALL FOREIGN MATTER.) Take the spindle and leg and place on shaft (88) making sure that X marks on spindle, leg and shaft are on the same side. Move handle (24) until cam (9) slot admits ball end of leg (4). Push spindle upon shaft as far as possible by hand. Look through spindle pinhole. If there is a perfect crescent of approximately 1/32" showing on the front edge of the hole on shaft, the spindle can be tapped with a mallet until the holes are in perfect alignment. Now place tool holder leg pin (7) in the X marked side of the spindle making sure the small end of pin enters first. Tap with pin punch until pin is flush or slightly under the surface of spindle on both sides. If pin protrudes, file flush. Now adapter is changed for desired size. Place depth stop or trimming stop (19 or 20) in position desired and lock with nut (21) making cutter ready for use again.

CARE AND MAINTENANCE

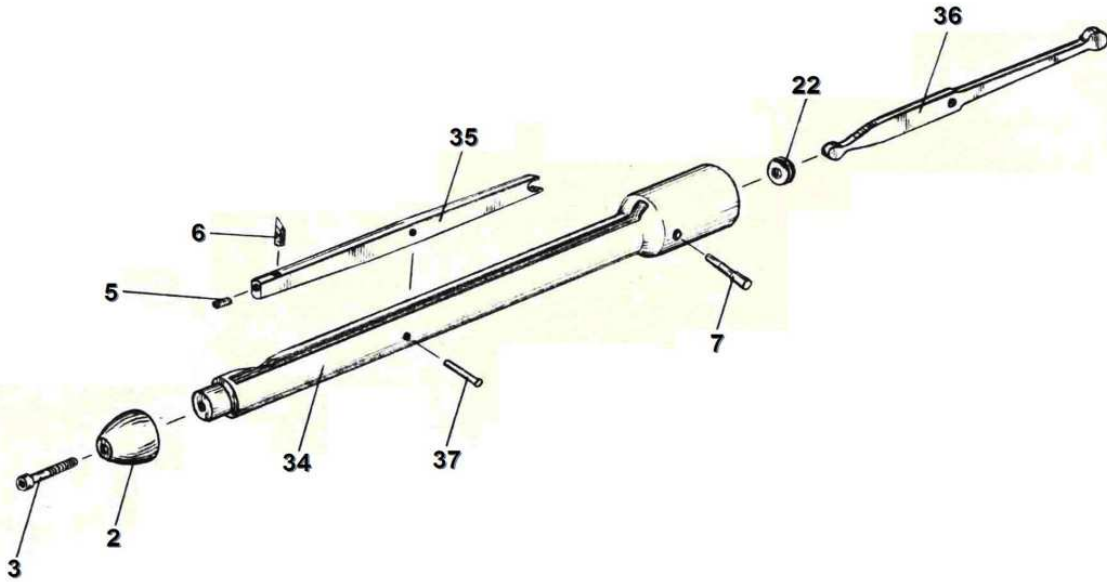
The tube cutter should be dismantled and cleaned as often as necessary. To dismantle the tool, remove the adapter (spindle, leg, pilot, etc.) by the method described in the previous section entitled CHANGING ADAPTERS FOR VARIOUS SIZES. Jacket Lock Ring (89) at rear of jacket (15L) is loosened with special spanner wrench provided. The cutter assembly may then be removed from the drive assembly by unscrewing in a counter-clockwise direction. Next the handle pin screws (28) are loosened at least three full turns with a 5/32" Allen wrench provided. The handle pin (25) is then driven out with a pin punch. This will allow for the removal of the handle (24) from the jacket. The spool and feeder assembly (11-14) may be removed through the rear of the jacket and disassembled by removing the two Allen screws. This assembly should be cleaned and packed with high melt grease. Loosen front bracket (17) from jacket (15L) with special spanner wrench provided with a counter clockwise rotation. Front bearings may be removed from front side of jacket (15L) by driving bearing (16) from inside, keeping clear of bearing retainer ring (91). After all parts have been thoroughly checked for wear, cleaned and greased, cutter may be reassembled in reverse order of disassembly. The spool and feeder assembly (11-14) is inserted in the jacket with the cap and screw end facing the front bearing (16). When doing this, make sure the gear rack on the feeder (14) is line with the handle slot in the jacket. The handle (24) is now placed in the jacket slot making sure that the first gear tooth on the handle fits snugly into the first tooth of the gear rack on the feeder. Line hole in handle up with handle pin holes in jacket. Insert handle pin (25) making sure flats are toward set screws (28). Tighten set screws (28). IT IS IMPERATIVE THAT THE RACK ON THE FEEDER AND THE GEAR ON THE HANDLE AR PROPERLY ENGAGED. The gear on handle and gear on rack should mesh over their entire lengths. Handle should make a full travel from front stop (15F) to rear stop (15R) without binding. The jacket assembly may now be mated with the shaft on the drive motor.

IMPORTANT: The X on the shaft must be in the up position and the cam must be to the left when looking at the shaft from the front. As cutter jacket assembly is slid on over the shaft, the slot in the spool (11) must be fitted over the cam (9) on the shaft (88) being careful to keep the cam and the slot in the spool to the left when looking from the front. Once this fit has been obtained, the jacket is screwed on to motor adapter (90) as far as it will go to jacket lock ring (89) in back position with moderate pressure. This requires that lock ring (89) be screwed on to its limit, since the jacket will stop short of the lock ring when both are screwed on to their respective limits. The jacket is then backed off approximately one turn, and the handle positioned at the desired operating angle

IMPORTANT WARNING: The lock ring is then brought up to the cutter jacket and tightened firmly! This will lock the handle in desired position, which should be kept tight at all times for safe operating. Front adapters may now be installed as has been previously explained in the section CHANGING ADAPTERS FOR VARIOUS SIZES.

4

Parts List for an internal tube cutter Extension Adaptor



ITEM	PART NUMBER	PART NAME
1	1A	Spindle
2	2	Pilot
3	3	Pilot Screw

ITEM	PART NUMBER	PART NAME
14	5	Leg Screw
15	6	Tool Bit
15a	7	Leg Pin

ITEM	PART NUMBER	PART NAME
22	35	Tool Holder Leg
24	36	Shaft Leg
25	37	Pin

Extension Adaptors are a have a reach of 6” (152mm). Longer adaptors can be made to order in 3.5” increments, please call us with the size requirements and material being cut. We will advise if it is feasible.

Available in custom configurations.

Pin # 37 is a straight piece of O1 drill rod. Cut to length then peened over and polish to size. Use a pin punch to drive out the pin from a broken spindle and keep unbroken leg parts for future use.
Series “A” Adapter’s assembly.

Place .125 inch pin thru spindle and leg. Insert shim in between leg and spindle close

to pin. Gently peen pin ends into counter sink edges of hole. Remove shim, Leg should move easily but snugly. File and polish pin smooth with spindle.



Place shim between leg and spindle on each side of pin.



Peen pin to fill hole champher



Remove Shim and test that the leg moves freely.



Polish excess pin till smooth to spindle.



Insert toolbit and pilot.



Add shaft leg and test that the leg moves freely.

Parts List For
1465, 1466, 1467

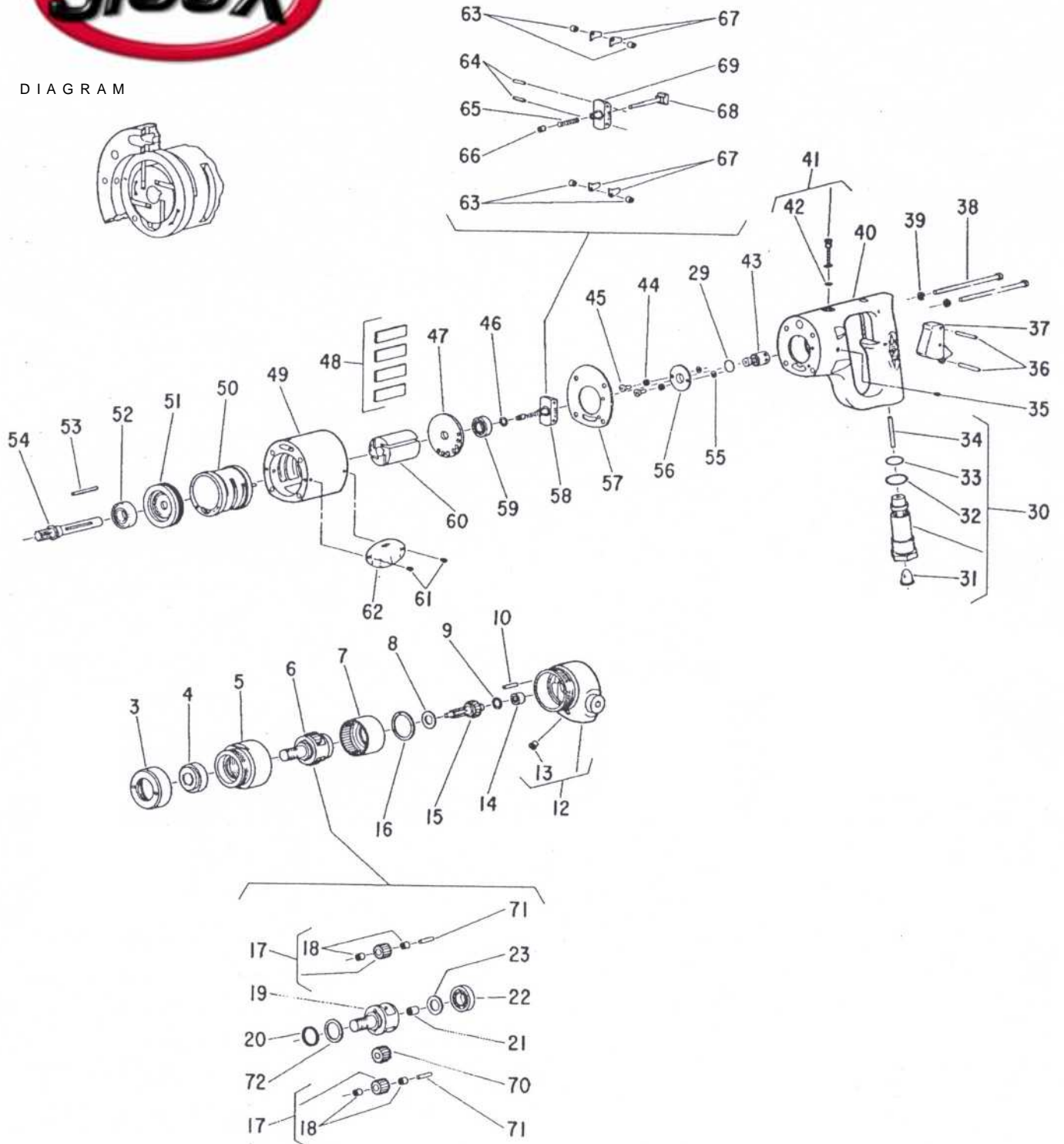


Fig. No.	Part No.	Description	Fig. No.	Part No.	Description
3.	44493	Retainer	38.	07129	Screw (4)
4.	10198	Bearing Ball	39.	Q9724	Washer-Lock (4)
5.	44494	Support-Spindle	40.	43073	Ass'y-Handle(Incl.Fig.24-37.41-45.55,56)
6.	43327	Ass'y-Planetary Gear (1465.1466.1467)	41.	44253	Oiler Screw & 0" Ring
	63583	Ass'y-Planetary Gear (1464)	42.	14369	Ring-"O"
7.	19197	Gear-Ring	43.	43664	Ass'y-Governor Valve
8.	35128	Washer	44.	09704	Washer-Lock (2).
9.	35134	Washer	45.	06325	Screw (2).
10.	30467	Pin	46.	35067	Washer-Wave
11.	63349	Ass'y-Side Handle	47.	10520	End Plate-Rear
12.	12299	Case-Gear	48.	33997	Vane-Rotor (Set of 4)
13.	30356	Fitting-Grease	49.	12276	Housing
14.	10042	Bearing-Needle	50.	33979	Cylinder
15.	19461	Gear & Pinion (1465)	51.	10521	Plate-Front End (Up to Ser. No.8)
	19462	Gear & Pinion (1466. 1467)		10531	Plate-Front End (Ser. No.8-100 & up)
	19493	Gear & Pinion (1464)	52.	10203	Bearing-Ball (Up to Ser. No.8)
16.	21531	Ring-Lock		10228	Bearing-Ball (Ser. No.8-100 & up)
17.	19324	Ass'y-Gear & Bearing (2)*(1465, 1466, 1467J)	53.	44219	Key-Rotor
	19325	Ass'y-Gear & Bearing (2)*(1464)	54.	22641	Spindle-Rotor (1464. 1465)
18.	10028	Bearing-Needle (4)*		22642	Spindle-Rotor (1466. 1467)
19.	22640	Spindle-Chuck (1465. 1466. 1467)	55.	14750	Retainer-Screw (2).
	64184	Spindle-Chuck (1464)	56.	44245	Retainer-Governor Valve
20.	21524	Ring-Retaining (Used on Some Models)	57.	14751	Gasket
	21753	Ring-Retaining (1464)	58.	43672	Ass'y-Governor (1464,1465. & 1466)
21.	10044	Bearing-Needle		43670	Ass'y-Governor (1467)
22.	10203	Bearing-Ball	59.	10241	Bearing-Ball
23.	25976	Washer	60.	44220	Rotor
24.	43133	Ass'y-Swivel	61.	06000	Screw (2).
25.	21523	Ring-Retaining	62.	20368R	Plate-Name
26.	13201	Swivel	63.	44379	Spacer-Governor (1465. 1466. 1464)(4).
27.	34819	Pin		44218	Spacer-Governor (1467)(4)*
28.	43334	Ass'y-Swivel Body	64.	30336	Pin-Roll (2)*
29.	14312	Ring-"O" (3)*	65.	21411	Spring-Governor (Red)(1465.1466.1464)
30.	33998	Ass'y- Throttle Valve		21416	Spring-Governor (Green)(1467)
31.	33993	Ass'y-Air Screen	66.	13183	Nut-Governor Adjusting
32.	14307	Ring-"O"	67.	35069	Weight-Governor (1465.1464. 1466)(4)*(1467)(6)*
33.	14274	Ring-"O"	68.	43666	Ass'y-Bearing Support & Spindle
34.	30424	Pin	69.	44222	Frame-Governor

35.	30375	Fitting-Grease	70.	19206	Gear-Pinion (1464)
36.	30347	Pin (2)*	71.	30467	Pin (1465, 1466, 1467)(2)*
37.	33967	Ass'y-Trigger		30369	Pin (1464)(2).
			72.	35260	Washer (1464)



DIAGRAM





FOSTER SV SERIES SAFETY VALVE COUPLERS

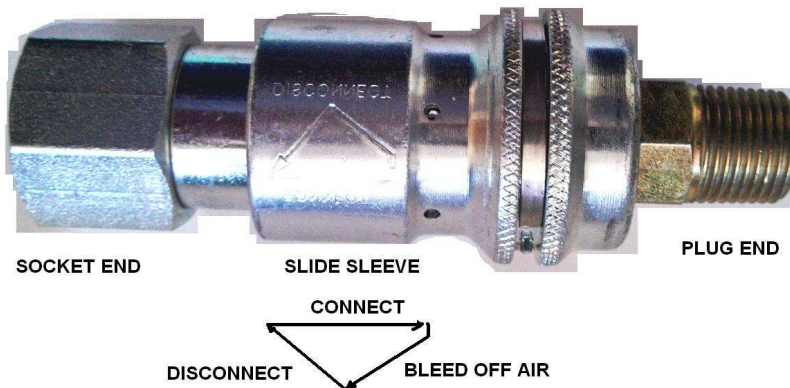
OPERATING AND MAINTENANCE INSTRUCTIONS

BENEFITS:

1. Plug and socket connect and disconnect at 0 psig.
2. Plug is securely locked in place before air is turned on.
3. Socket sleeve will not slide forward without a plug installed.
4. Downstream line is exhausted before plug is released.

OPERATION:

1. To Connect - Simply insert the plug and slide the coupler's sleeve forward to lock and pressurize.
2. To Disconnect - First, rotate sleeve counter clockwise to exhaust pressure. Allow enough time for air to exhaust. Second, rotate sleeve clockwise while sliding toward socket end to unlock and release the plug.



* Operate by hand only. If sleeve becomes difficult to slide, call maintenance.

* To avoid damage, when disconnected, set the coupler down. Do not drop it.

MAINTENANCE:

* SV couplers are precision mechanical devices that are subject to normal wear and tear.

* In order to extend the coupler's useful life, they should be used

with compressed air that is free of dirt and water contamination. They require lubrication. If an in-line lubricator is not in use, they should be lubricated periodically with 10W air tool oil.

SYMPTOMS OF WEAR:

* When any of these symptoms exist, discontinue use of the coupler and contact maintenance for replacement:

Compressed air is leaking from the coupler.

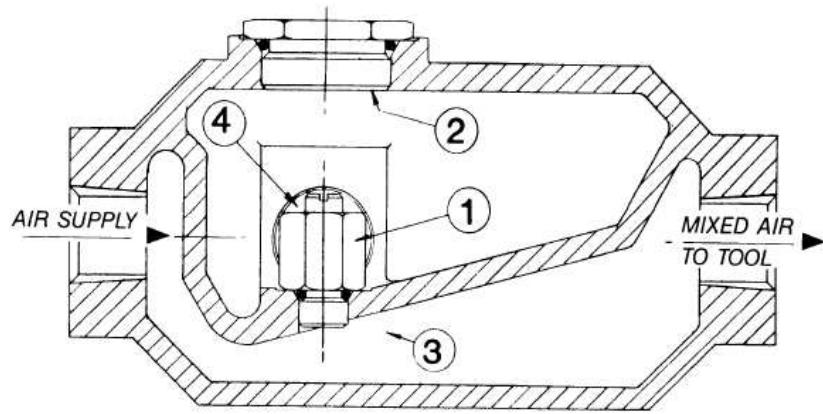
While operating the sleeve, the action should feel smooth. If sloppiness is felt, there is excessive wear.

If the sleeve feels sticky, gritty or binds up during operation, there is excessive wear or contamination.

NEW IMPROVED

ASL

Pressure-Feed Pneumatic Tool Lubricator



INSTALLATION

INSTRUCTIONS The ASL LUBRICATOR should be installed so air flow follows the direction indicated by the arrow. It is advisable to install the LUBRICATOR as near to the tool as possible, but the LUBRICATOR will provide satisfactory lubrication up to a distance as great as 25 feet.

The ASL PRESSURE LUBRICATOR is immediately effective. Once the LUBRICATOR is installed and the pressure is turned on, pressure backs up through the feeder breather line, into the oil reservoir where it is equalized. When the operator starts the air tool, pressure momentarily drops. Pressure in the reservoir forces a fog of oil into the air line the fog provides a perfect lubrication. This operation is repeated automatically as the tool is in use. Since the LUBRICATOR operates under the pressure of actual air tool operation, oil is introduced into the air line only when the air tool is in use. The pressure – proof window reveals the oil supply in the reservoir. Reducers may be used on all models for smaller pipe sizes without harmful effects.

The adjustable feeder makes it adaptable to all climates and conditions. The new improved feeder will not move under vibration. The normal setting is for summer conditions with a No.10 oil.



Increased opening may be necessary for lower temperatures. When adjusting counter clockwise rotation will increase flow clockwise rotation will decrease flow for your individual requirements. Adjust to the point where a

slight film of oil can be felt at the exhaust port of the tool. This adjustment enables the LUBRICATOR to be operated with all types of air tools and climatic conditions.

SPECIFICATIONS -PRESSURE FEED

MODEL	No.5	NO, 10	No.15	NO.15 5	NO.30
LENGTH	4 1/2"	6"	7"	7"	10"
WIDTH	2 3/8"	2 7/8"	3 3/8"	3 3/8"	3 7/8"
HEIGHT	2 13/16"	3 3/8"	3 11/16"	3 11/16"	4 3/16"
WEIGHT	16 oz.	.26 oz.	34 oz.	34 oz.	70 oz.
Oil CAPACIT Y	7 cu. in	12 cu. in	18 cu. In	18 cu. in	34 cu. In
PIPE SIZE	1/2"NP T	3/4"NP T	3/4"NP T	1"NPT	1"NP T
AIR FLOW CAPACIT Y FREE AIR c/o 100 psi 60 (PSI)	100 SCFM	175 SCFM	175 SCFM	350 SCFM	350 SCF M
SAFETY FACTOR 4:1	500	260	300	300	250

Reducers for smaller pipe size may be used with all models, without harmful effect.

Pressure Feed -Service Kit

KIT	DESCRIPTION	NUMBER REQUIRED
No.1	Feeder assembly includes: O-Ring ARP-56B-905	1
No.2	Filler cap assembly includes: O-Ring ARP-56S.-916	1
No.3	Serve Kit Includes: Feeder O-Ring ARP-568-905 Filler O-Ring ARP-566-916 Sight window O-Ring ARP-568-908	1
No.4	Sight window assembly includes: O-Ring ARP-568-908	1

NO SPECIAL TOOLS REQUIRED
Standard 3/4" Socket, screwdriver and wrench only
All standard tools.

Limited Product Warranty

1. **Warranty.** Armstrong & Sons, Inc. ("A&S") warrants that this A&S Industrial Product (the "Product") shall be free from defects in material and workmanship for a period of ninety (90) days from the date of purchase from A&S or from an authorized A&S Industrial Distributor, as the case may be. Repaired or replacement A&S products provided under this warranty are similarly warranted for a period of 3 months from the date of shipment to the customer or the remainder of the original warranty term, whichever is longer. This Product and any repaired or replacement products will be manufactured from new and/or serviceable used parts which are equal to new in the Product. This warranty is limited to the initial purchaser of the Product from A&S or from an authorized A&S Industrial Distributor and may not be transferred or assigned.

2. **Remedies.** Remedies under this warranty shall be limited, at A&S's option, to the replacement or repair of this Product, or the parts thereof, only after shipment by the customer at the customer's expense to a designated A&S service location along with proof of purchase date and an associated serial number. Repair parts and replacement products furnished under this warranty will be on an exchange basis and all exchanged parts or products become the property of A&S. Should any product or part returned to A&S hereunder be found by A&S to be without defect, A&S will return such product or part to the customer. The foregoing will be the exclusive remedies for any breach of warranty or breach of contract arising there from.

3. **General.** This warranty is only available if (a) the customer provides A&S with written or verbal notice of a warranty claim within the warranty period set forth above in Section 1 and (b) A&S's examination of the Product or the parts thereof discloses that any alleged defect has not been caused by a failure to provide a suitable environment as specified in the A&S Standard Environmental Specification and applicable Product specifications, or damage caused by accident, disaster, acts of God, neglect, abuse, misuse, transportation, alterations, attachments, accessories, supplies, non-A&S parts, non-A&S repairs or activities, or to any damage whose proximate cause was utilities or utility-like services, or faulty installation or maintenance done by someone other than A&S.

4. **Product Improvement.** A&S reserves the right to make changes to the Product in order to improve reliability, function or design in the pursuit of providing the best possible products.

5. **Exclusive Warranty.** THE WARRANTIES SET FORTH HEREIN ARE CUSTOMER'S EXCLUSIVE WARRANTIES. A&S HEREBY DISCLAIMS ALL OTHER WARRANTIES, EXPRESS OR IMPLIED. WITHOUT LIMITING THE FOREGOING, A&S SPECIFICALLY DISCLAIMS THE IMPLIED WARRANTIES OF MERCHANTABILITY, FITNESS FOR A PARTICULAR PURPOSE, NON-INFRINGEMENT, COURSE OF DEALING AND USAGE OF TRADE.

6. **Disclaimer and Limitation of Liability.** TO THE FULLEST EXTENT PERMITTED BY APPLICABLE LAW, A&S WILL NOT BE LIABLE FOR ANY BUSINESS INTERRUPTION OR LOSS OF PROFIT, REVENUE, MATERIALS, ANTICIPATED SAVINGS, DATA, CONTRACT, GOODWILL OR THE LIKE (WHETHER DIRECT OR INDIRECT IN NATURE) OR FOR ANY OTHER FORM OF INCIDENTAL, INDIRECT OR CONSEQUENTIAL DAMAGES OF ANY KIND. A&S'S MAXIMUM CUMULATIVE LIABILITY RELATIVE TO ALL OTHER CLAIMS AND LIABILITIES, INCLUDING OBLIGATIONS UNDER ANY INDEMNITY, WHETHER OR NOT INSURED, WILL NOT EXCEED THE COST OF THE PRODUCT(S) GIVING RISE TO THE CLAIM OR LIABILITY. A&S DISCLAIMS ALL LIABILITY RELATIVE TO GRATUITOUS INFORMATION OR ASSISTANCE PROVIDED BY, BUT NOT REQUIRED OF A&S HEREUNDER. ANY AA&SON AGAINST A&S MUST BE BROUGHT WITHIN EIGHTEEN (18) MONTHS AFTER THE CAUSE OF AA&SON ACCRUES. THESE DISCLAIMERS AND LIMITATIONS OF LIABILITY WILL APPLY REGARDLESS OF ANY OTHER CONTRARY PROVISION HEREOF AND REGARDLESS OF THE FORM OF AA&SON, WHETHER IN CONTRACT, TORT (INCLUDING NEGLIGENCE AND STRICT LIABILITY) OR OTHERWISE, AND FURTHER WILL EXTEND TO THE BENEFIT OF A&S'S VENDORS, APPOINTED DISTRIBUTORS AND OTHER AUTHORIZED RESELLERS AS THIRD-PARTY BENEFICIARIES. EACH PROVISION HEREOF WHICH PROVIDES FOR A LIMITATION OF LIABILITY, DISCLAIMER OF WARRANTY OR CONDITION OR EXCLUSION OF DAMAGES IS SEVERABLE AND INDEPENDENT OF ANY OTHER PROVISION AND IS TO BE ENFORCED AS SUCH.

7. **Adequate Remedy.** The customer is limited to the remedies specified herein and shall have no others for a nonconformity in the Product. The customer agrees that these remedies provide the customer with a minimum adequate remedy and are its exclusive remedies, whether based on contract, warranty, tort (including negligence), strict liability, indemnity, or any other legal theory, and whether arising out of warranties, representations, instructions, installations, or non-conformities from any cause. The customer further acknowledges that the purchase price of the Product reflects these warranty terms and remedies.

8. **Force Majeure.** A&S will not be liable for any loss, damage or delay arising out of its failure (or that of its subcontractors) to perform hereunder due to causes beyond its reasonable control, including without limitation, acts of God, acts or omissions of the customer, acts of civil or military authority, fires, strikes, floods, epidemics, quarantine restrictions, war, riots, acts of terrorism, delays in transportation, or transportation embargoes. In the event of such delay, A&S's performance date(s) will be extended for such length of time as may be reasonably necessary to compensate for the delay.

9. **Governing Law.** The laws of the State of New Jersey shall govern the validity, interpretation and enforcement of this warranty, without regard to its conflicts of law principles. The application of the United Nations Convention on Contracts for the International Sale of Goods shall be excluded.



Index

3/4

3/4 " Socket · 10

I

10W air tool oil · 9

3

3.5" increments · 5

A

A&S Spanner Wrench · 2

ADAPTERS · 5, 3, 4

adjusting · 10

adjustment · 3, 10

AIR · 5, 1, 7

ASL · 6, 1, 10

Ass'y-Gear · 7

Ass'y-Governor · 7

Ass'y-Handle · 7

Ass'y-Planetary Gear · 7

Ass'y-Side Handle · 7

B

Bearing · 2, 7

Bearing Ball · 7

Bearing-Needle · 7

BENEITS · 5, 9

Bracket · 2

C

Cam · 2

CARE · 5, 3, 4

Case-Gear · 7

Cleco · 1

clockwise · 4, 9, 10

Connect · 9

custom configurations ·

5

Cylinder · 7

D

depth · 3, 4

Depth Stop · 2

Disconnect · 9

E

End Plate-Rear · 7

Extension · 5

F

Fitting-Grease · 7, 8

FOSTER · 5, 9

Front Stop · 2

G

gauge · 3

Gear & Pinion · 7

Gear-Ring · 7

grease · 1, 4

H

Handle · 2, 4

Housing · 7

I

IMPORTANT · 4

J

jacket · 4

Jacket · 2, 4

K

Key-Rotor · 7

L

Leg · 2, 5, 6

lubrication · 9, 10

Lubricator · 1, 10

LUBRICATOR · 10

M

MAINTENANCE · 5, 3, 4, 9

Milwaukee · 1

motor adapter · 4

Motor Adaptor · 2

O

O1 drill rod · 5

OPERATION · 5, 3, 9

P

Pilot · 2, 5

Pin · 2, 5, 7, 8

Plate-Front End · 7

pressure – proof window ·

10

R

RACK · 4

Rear Stop · 2

Retainer · 2, 7

Ring-"O" · 7

Ring-Lock · 7

Rubber Seal · 2

S

Screw · 2, 5, 7

screwdriver · 10

shaft · 3, 4

Shaft · 2, 5

Shaft Spacer · 2

Sioux · 1

size · 3, 5, 10

Spacer · 2, 7

Spanner Wrench · 2
spindle · 3, 4, 5
Spindle · 2, 5, 7
Spindle-Rotor · 7
Spool · 2
Stop Lock Ring · 2
Support-Spindle · 7
SV · 5, 9

T

Tool Bit · 2, 5
TOOL BIT · 5, 3
Trim Stop · 2
tube cutter · iii, 5, 2, 3, 4, 5
tube sheet · iii, 3

V

Vane-Rotor · 7

W

Washer · 7, 8
Wing Nut · 2
wrench · 3, 4, 10